

KLIMAGIEL®

Fabric and Metal Ducts

INSTALLATION AND MAINTENANCE FABRIC DUCTS **KLIMAGIEL**

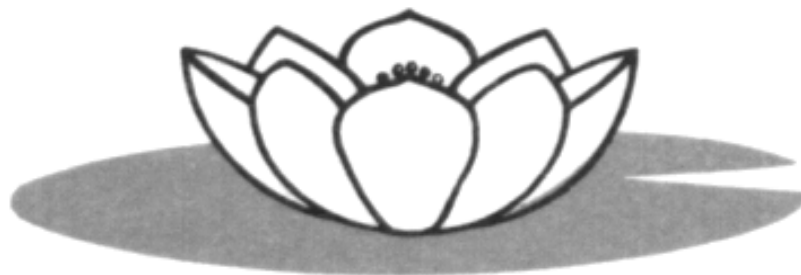
CUSTOMER SERVICE

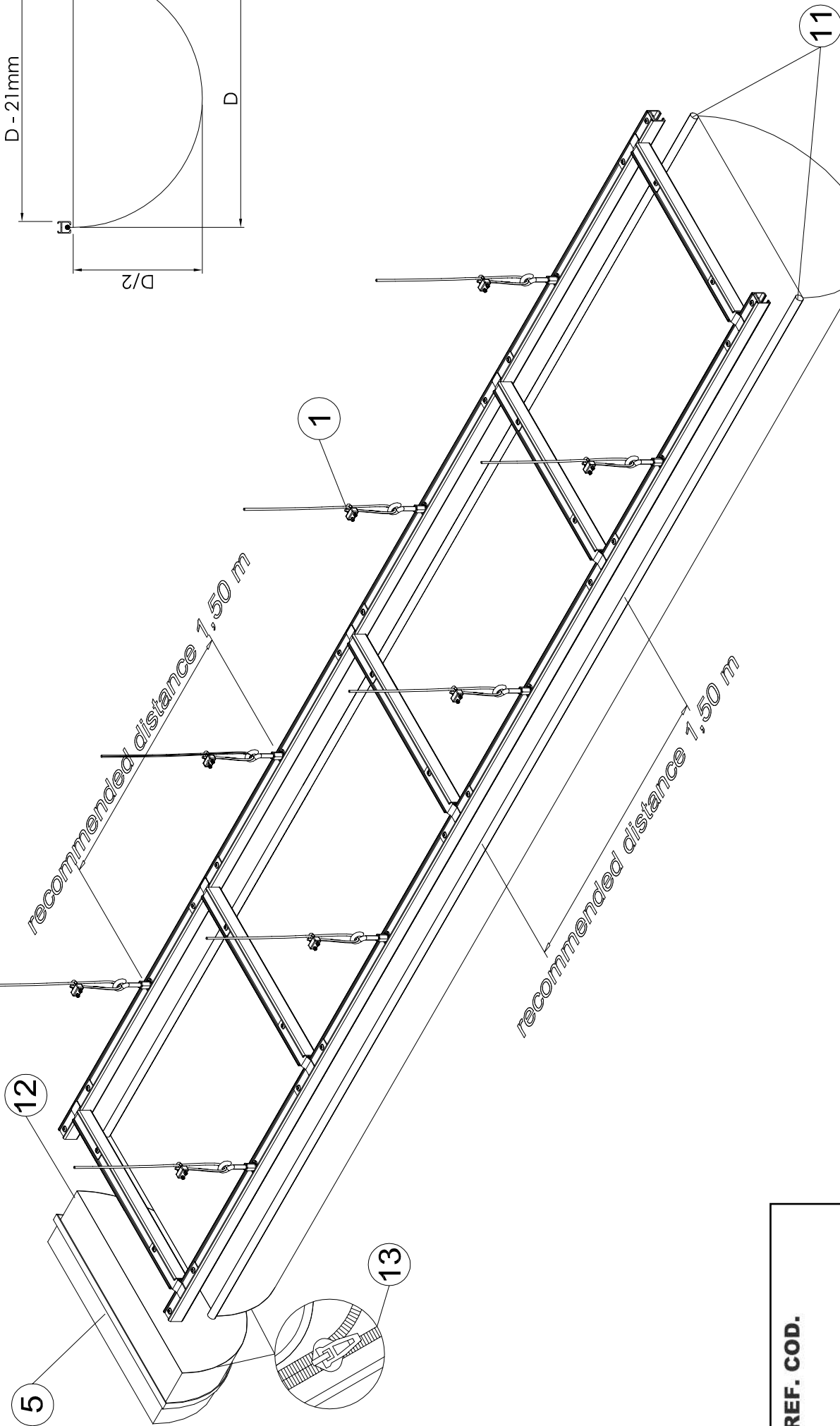
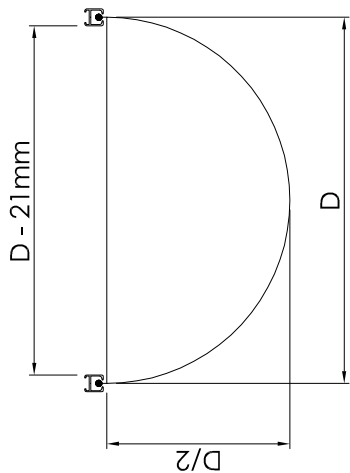
Tel. +39 045 916672

Fax. +39 045 8344222

e-mail: klimagiel@klimagiel.it

Via Mezzacampagna 52 int. 37
37135 Verona

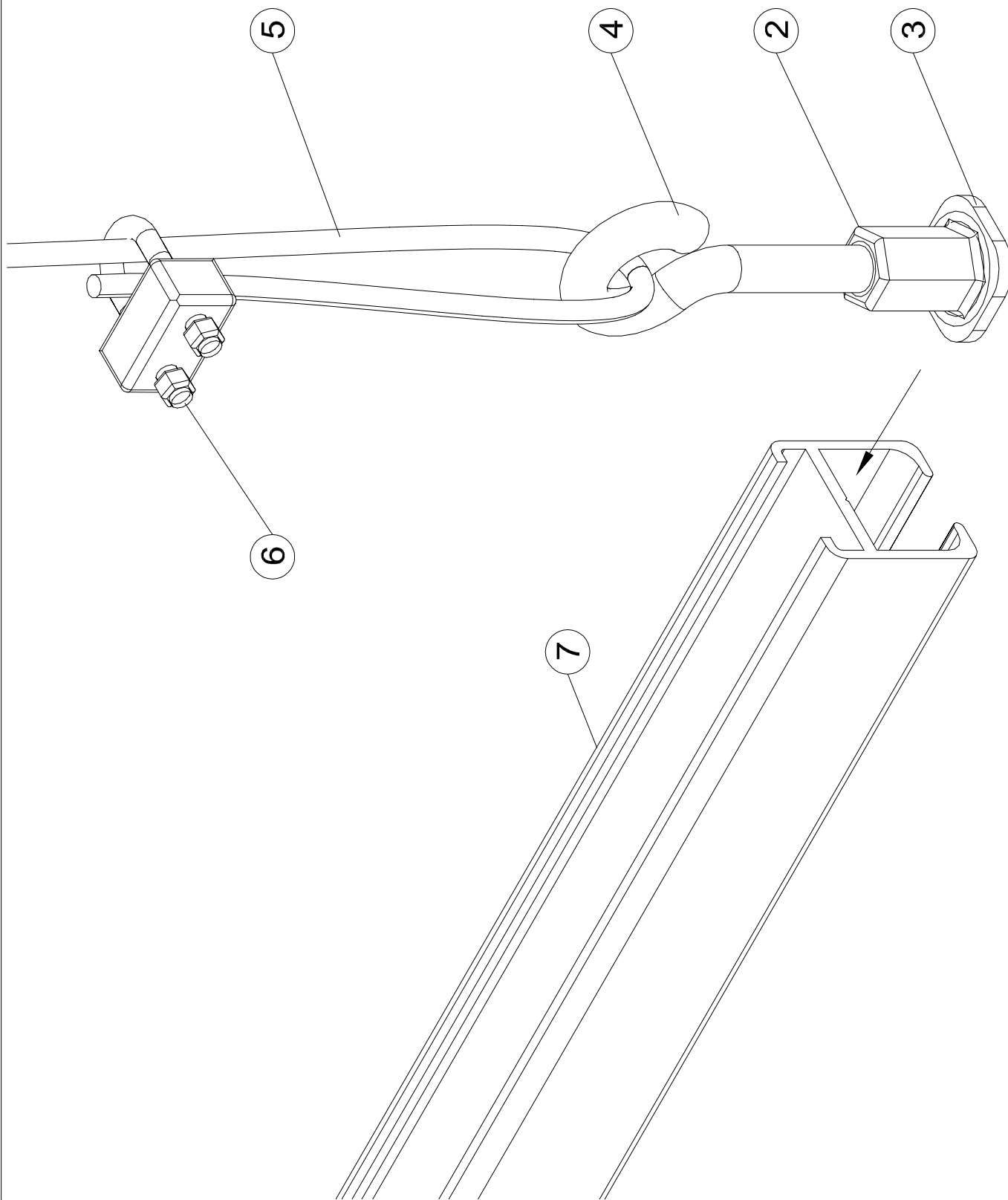




ATTENTION:
 FOLLOW CAREFULLY INSTALLATION INSTRUCTIONS.
 DUCTS ARE IDENTIFIED BY A LETTER AND A NUMBER WRITTEN ON THE LABEL
 REPLICATED IN THE PICTURE ON THE LEFT (STITCHED ON THE INSIDE OF THE
 DUCT) IN CORRESPONDENCE TO WHAT INDICATED IN EXECUTIVE DRAWINGS

KLIMAGIEL s.r.l.
 Fabric and Metal Ducts
 Via Mezzacampagna 52/37 - VERONA
 TEL 045 916672 - FAX 045 8344222
 www.klimagiel.it - email klimagiel@klimagiel.it

REF. COD.	
	Via Mezzacampagna 52/37 - 37135 VERONA (ITALY) TEL. +39045916672 - FAX +390458344222
	POLIESTERE

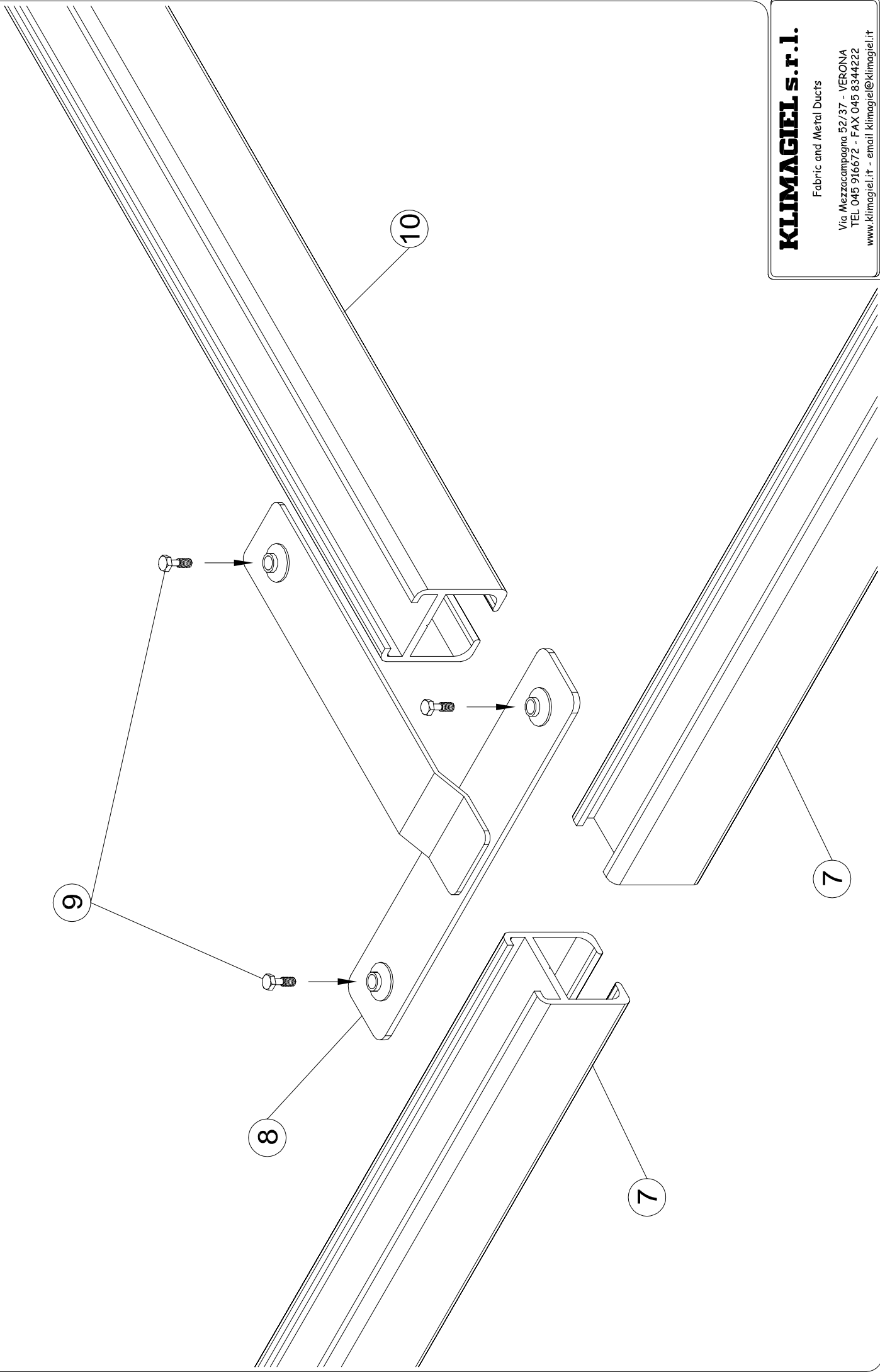


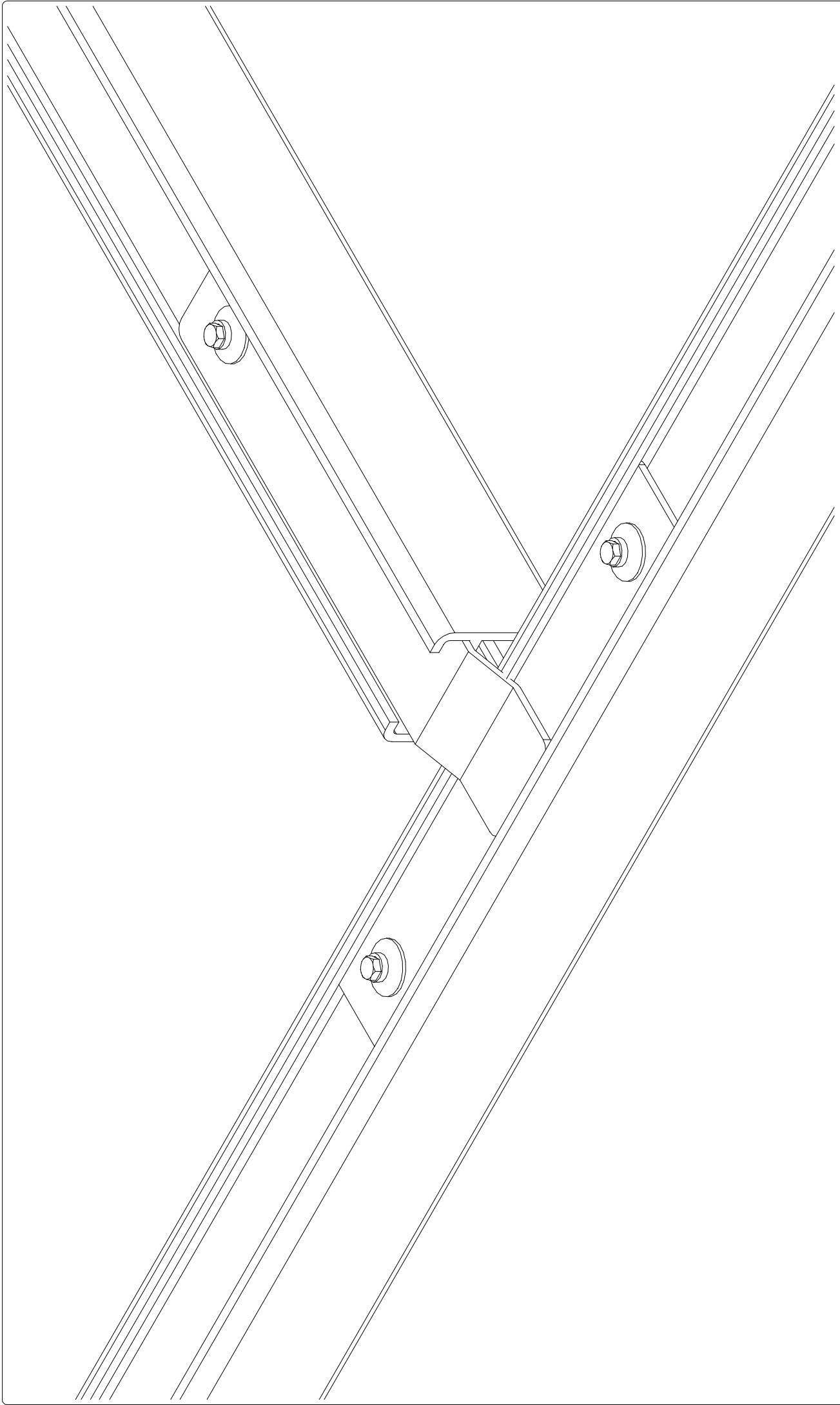
NB:
EYEBOLT-CABLE SYSTEM
COULD BE
REPLACED BY A THREADED
ROD M8
(NOT SUPPLIED BY
KLIMAGIEL)
DEPENDING ON THE
NECESSITY

KLIMAGIEL s.r.l.

Fabric and Metal Ducts

Via Mezzacampagna, 52/37 - VERONA
TEL 045 916672 - FAX 045 8344222
www.klimagiel.it - email klimagiel@klimagiel.it





KLIMAGIEL S. R. L.
Fabric and Metal Ducts
Via Mezzacampagna 52/37 - VERONA
TEL 045 916672 - FAX 045 8344222
www.klimagiel.it - email klimagiel@klimagiel.it

INSTALLATION FABRIC DUCTS WITH CIRCULAR SECTION AND SINGLE HANGING ALUMINUM RAIL

On the previous pages you can see: the assembling system, the components for proper installation and the fixing system. The components kit for specified versions is included in KLIMAGIEL ducts supply and it's identified by an itemized list.

N.B.: pressure caps and anchor screws to fix the extrusion bar at the ceiling are not included in KLIMAGIEL kit.

PLEASE NOTE

Before proceeding at the installation check:

- the entirety of all the components;
- the correspondence between components type and number you need for proper ducts assembling.

In case of doubts or inconsistency contact KLIMAGIEL® Customer Service.

ASSEMBLING INSTRUCTIONS

On the ground, arrange the hanging system as follows.

1. Assemble the rail hanging system **(1)** (p. 2): as you can see in the drawing, match the threaded insert M8 **(2)** with the square washer **(3)** and tighten the eyebolt **(4)**; insert the steel lead **(5)** into the eyebolt making a buttonhole and then close it with a clamp **(6)**; insert the assembled component into the upper hollow of rail **(7)**. We recommend to install a hanging system every 1,50 m (2 systems for each rail long 3,00 m).
2. Place T-brackets **(8)**, as shown on pages 3 and 4, into the upper hollow of the rail and then fix them with M3 screws **(9)** at the desired point; in the same way, use the brackets to join the several segments of the main rail one another. We recommend to place one T-bracket every 1,50 m (one at the end of the rail long 3 m and another at the midpoint of it).

N.B.: For correct installation system, we recommend to organize an alternating arrangement between hanging system and T-bracket; therefore pay close attention at the sequence you install the components.

3. Cut some rails to create far-between crosspieces **(10)**: they have to measure equal to the duct diameter minus 21 mm; cut as many crosspieces as the brackets placed at point 2; then insert these crosspieces into the transverse T-bracket arms, as shown in the picture on page 3; in the end, tighten with M3 screws **(9)**.

At this point assemble the duct.

4. Fix the anchor screws at the ceiling by drilling it and then embedding the appropriate pressure caps (not supplied by us).
5. Hook the rails system assembled at the previous points at the anchor screws fixed at the ceiling (mentioned at point 4) through the steel cables; regulate the installation height of the rails by means of the cables.
6. Thread the rubber reinforcing rod **(11)** in the rail lower hollow, letting it flow/course. Don't force excessively the flow: if you notice an irregular resistance, you have to pull out the reinforcing rod and then check if there are any obstacles inside the rail, especially in junction point between one rail another.
7. Repeat the steps above for the installation of the whole duct system linking all the duct segments through zip fasteners.
8. In the end, assemble the duct beginning **(12)**: it has to be connected at one end to the duct system through a zip fastener **(13)** and at the other end to the beginning of the plenum chamber through a steel collar **(14)**.

When installation is completed, check:

- the entirety and the solidity of anchor screws and the correct fastening of the hanging system at the aluminum extrusion bar;
- the proper cables tension while working;
- the duct seal at the beginning of the plenum chamber **(12)**. In particular, check if you have tighten well the steel collar **(14)**;
- the correct tightening of all zip fasteners connecting all duct segments.

WASHING AND MAINTENANCE INSTRUCTIONS

WATER WASHING (EXCEPT DUCTS IN M0 FABRIC)

ATTENTION: Following maintenance instructions are meant for all type of fabric ducts, except for those made with fireproof fabric homologated Class 0 / M0 / A1.

Washing has to be made by hand or by washing machine following next procedure:

From 1 to 4 washing cycles using neutral washing powder or liquid detergent.
Every single washing cycle has to be made at a temperature not exceeding 45°C and it has to last for about 15 minutes.

For particularly dirty textiles we recommend a rinse after each washing cycle.
Let dry at room-temperature.

On demand, our company offers cleaning service (for further information contact directly our technical or sales department).

WARNING! Only for Class 0 / M0 / A1

While assembling, you can find on the fabric parts some fiberglass filaments due to the manufacturing process (stitching and drilling).

These filaments could cause eyes or skin irritation in sensitive people.

Therefore we recommend the use of protective devices for hands while assembling.