

# KLIMAGIEL®

Fabric and Metal Ducts

## INSTALLATION AND MAINTENANCE FABRIC DUCTS **KLIMAGIEL**

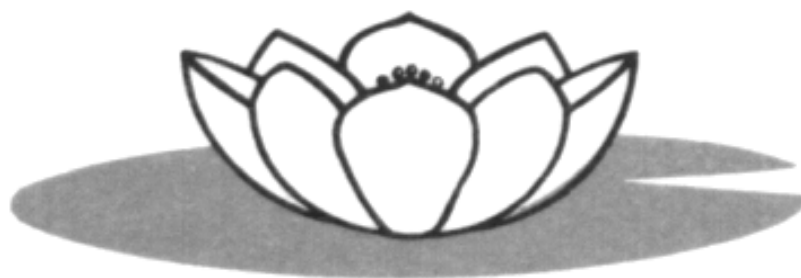
### CUSTOMER SERVICE

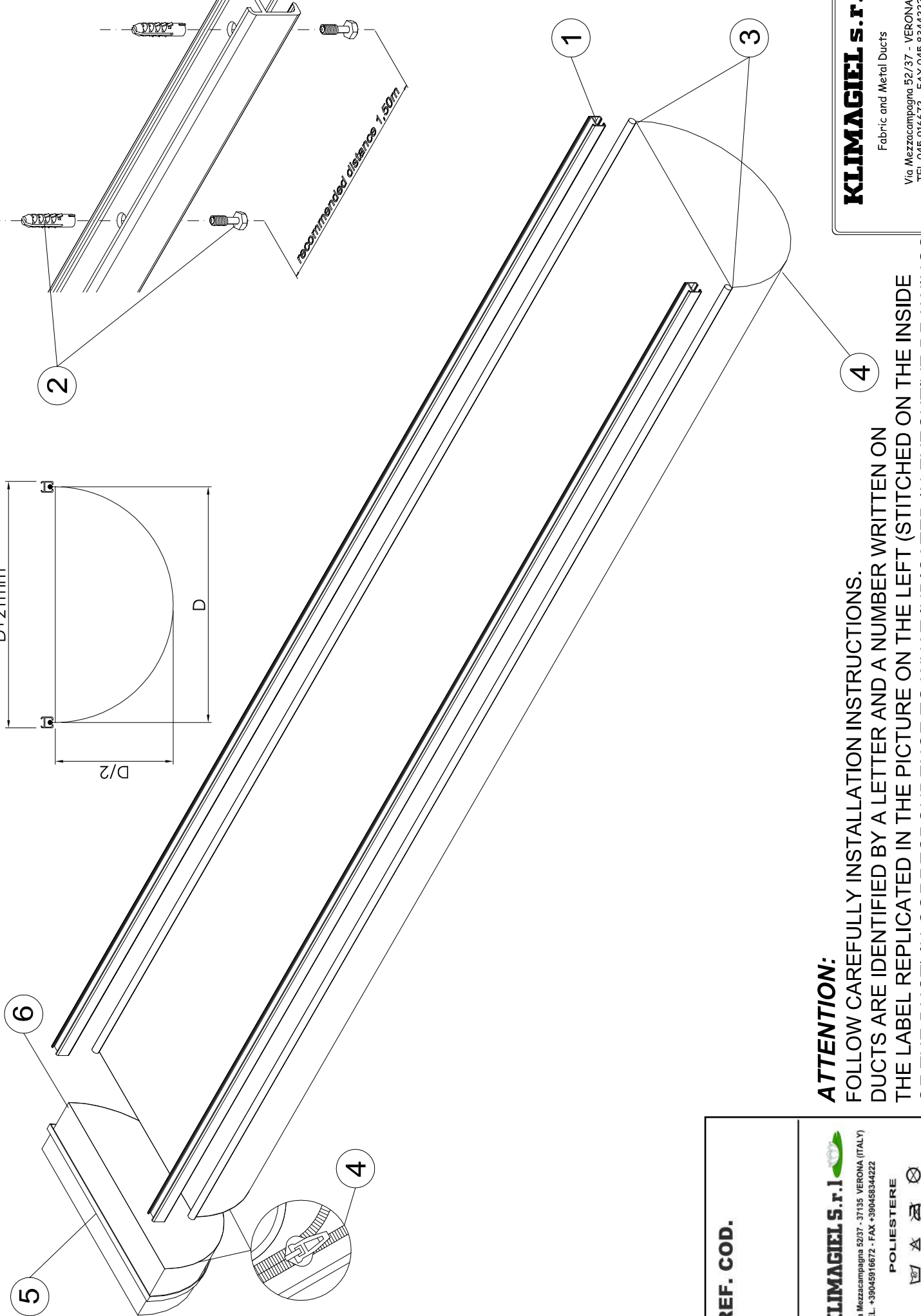
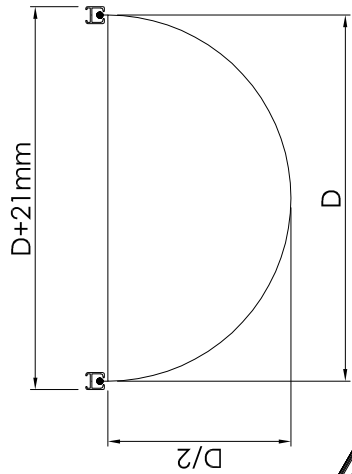
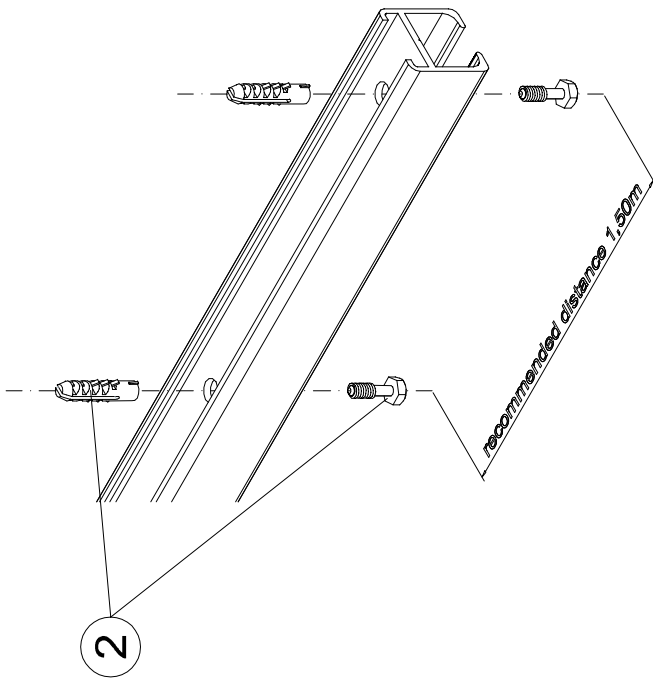
Tel. +39 045 916672

Fax. +39 045 8344222

e-mail: [klimagiel@klimagiel.it](mailto:klimagiel@klimagiel.it)

Via Mezzacampagna 52 int. 37  
37135 Verona





**ATTENTION:**  
 FOLLOW CAREFULLY INSTALLATION INSTRUCTIONS.  
 DUCTS ARE IDENTIFIED BY A LETTER AND A NUMBER WRITTEN ON  
 THE LABEL REPLICATED IN THE PICTURE ON THE LEFT (STITCHED ON THE INSIDE  
 OF THE DUCT) IN CORRESPONDENCE TO WHAT INDICATED IN EXECUTIVE DRAWINGS

**KLIMAGIEL S.R.L.**  
 Fabric and Metal Ducts  
 Via Mezzacampagna 52/37 - VERONA  
 TEL. 045 916672 - FAX 045 8344222  
 www.klimagiel.it - email klimagiel@klimagiel.it

REF. COD.	 <p><b>KLIMAGIEL S.R.L.</b>          Via Mezzacampagna 52/37 - 37135 VERONA (ITALY)          TEL. +39045916672 - FAX +390458344222</p> <p>POLIESTERE</p> 
-----------	---

## INSTALLATION OF FABRIC DUCTS WITH SEMICIRCULAR SECTION AND ALUMINUM RAIL

On the previous pages you can see: the assembling system, the components for proper installation and the fixing system. The components kit for specified versions is included in KLIMAGIEL ducts supply and it's identified by an itemized list.

**N.B.**: pressure caps and anchor screws to fix the rail at the ceiling *are not included* in KLIMAGIEL kit.

### **PLEASE NOTE**

Before proceeding at the installation check:

- the entirety of all the components;
- the correspondence between components type and number you need for proper ducts assembling.

In case of doubts or inconsistency contact KLIMAGIEL® Customer Service.

### ***ASSEMBLING INSTRUCTIONS***

1. Draw the correct distance between the rails. Define the axle spacing between the rails equal to the duct diameter (see picture on the previous page).  
*N.B.*: the total space occupied (from end to end / from an external edge to the other) is equal to the duct diameter plus 21mm.
2. Install the aluminum rails **(1)**. Drilling the rail in the central core in correspondence to the holes done in the ceiling (or in the wall) in order to embed pressure caps (not supplied by Klimagiel); fix the rail at the ceiling through screws **(2)** with the pressure caps as shown in the picture; for optimal fixing we recommend a fixing point every 1,50 m.
3. Thread the rubber reinforcing rod **(3)** in the rail lower hollow, letting it flow/course. Don't force excessively the flow: if you notice an irregular resistance, you have to pull out the reinforcing rod and then check if there are any obstacles inside the rail, especially in junction point between one rail another.
4. Repeat the steps above for the installation of the whole duct system linking all the duct segments through zip fasteners placed at the ends **(4)**.

5. In the end, assemble the duct beginning **(5)**: it has to be connected at one end to the duct system through a zip fastener **(4)** and at the other end to the beginning of the plenum chamber through a steel collar **(6)**.

**When installation is completed, check:**

- the correct fastening and the solidity of pressure caps placed in the ceiling or in the wall;
- the duct seal at the beginning of the plenum chamber **(5)**. In particular, check if you have tighten well the steel collar **(6)**.
- the correct tightening of all zip fasteners connecting all duct segments.

## **WASHING AND MAINTENANCE INSTRUCTIONS**

### **WATER WASHING**

**ATTENTION:** Following maintenance instructions are meant for all type of fabric ducts, except for those made with fireproof fabric homologated Class 0 / M0 / A1.

Washing has to be made by hand or by washing machine following next procedure:

From 1 to 4 washing cycles using neutral washing powder or liquid detergent.  
Every single washing cycle has to be made at a temperature not exceeding 45°C and it has to last for about 15 minutes.  
For particularly dirty textiles we recommend a rinse after each washing cycle.  
Let dry at room-temperature.

On demand, our company offers cleaning service (for further information contact directly our technical or sales department).

**WARNING! Only for Class 0 / M0 / A1**

**While assembling, you can find on the fabric parts some fiberglass filaments due to the manufacturing process (stitching and drilling).  
These filaments could cause eyes or skin irritation in sensitive people.  
Therefore we recommend the use of protective devices for hands while assembling.**