

KLIMAGIEL®

Fabric and Metal Ducts

INSTALLATION AND MAINTENANCE TEXTILE DUCTS **KLIMAGIEL**

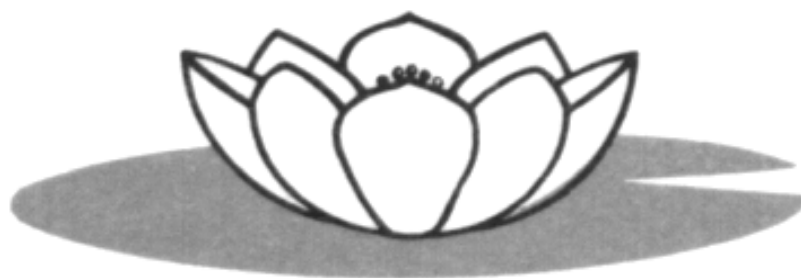
CUSTOMER SERVICE

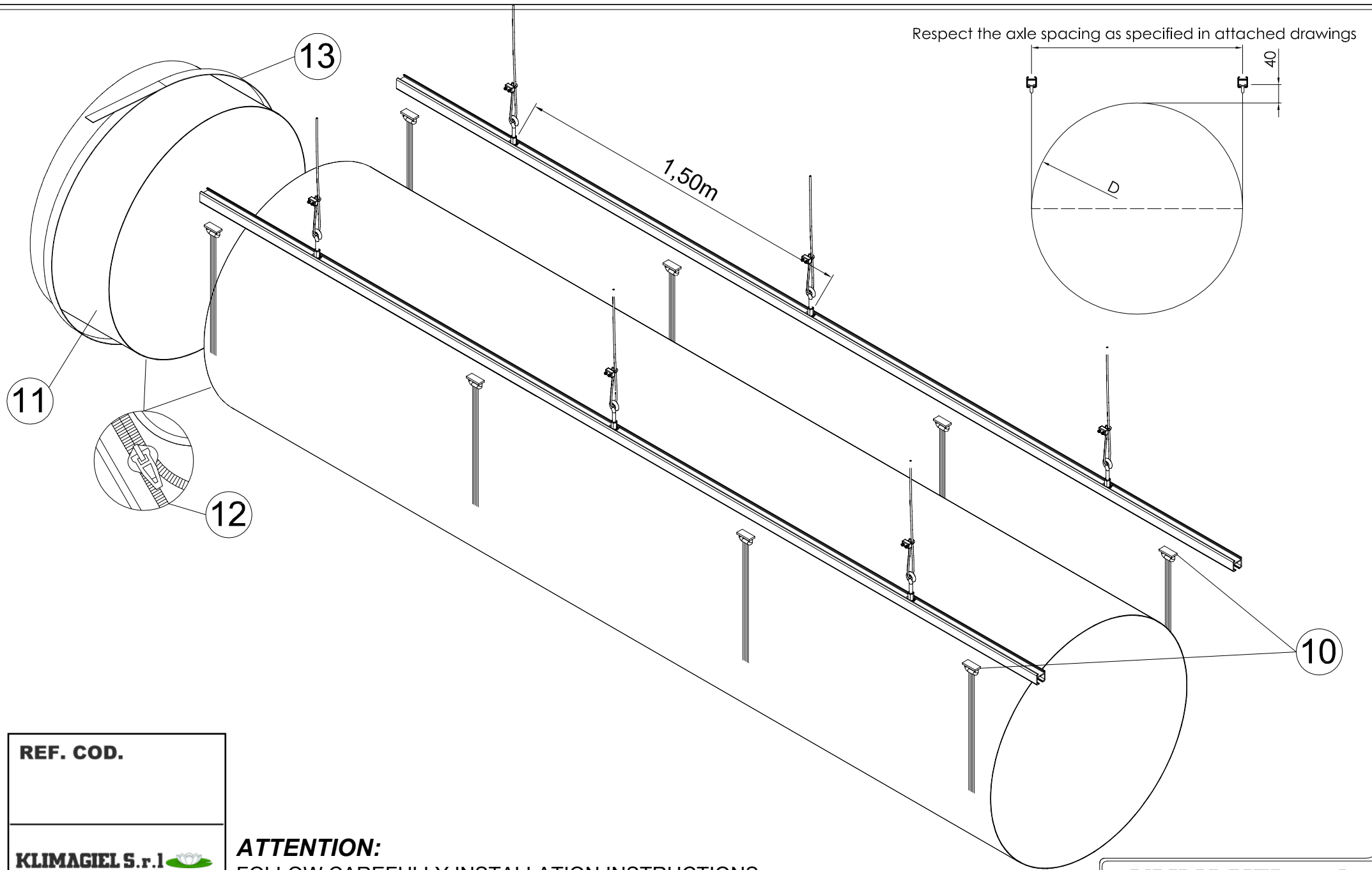
Tel. +39 045 916672

Fax. +39 045 8344222

e-mail: klimagiel@klimagiel.it

Via Mezzacampagna 52 int. 37
37135 Verona





REF. COD.

KLIMAGIEL S.r.l. 

Via Mezzacampagna 52/37 - 37135 VERONA (ITALY)
 TEL. +39045916672 - FAX +390458344222

POLIESTERE

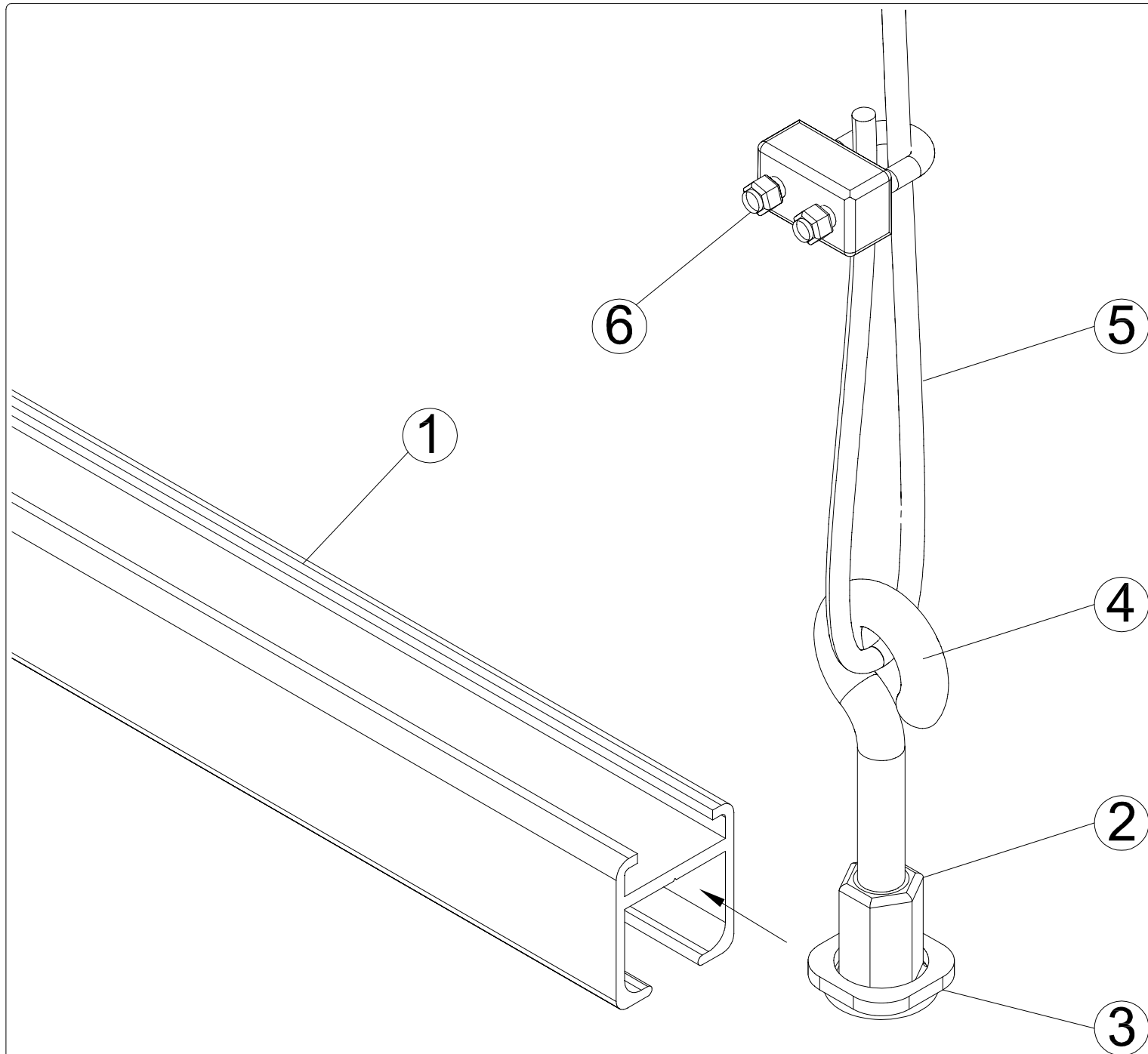


ATTENTION:
 FOLLOW CAREFULLY INSTALLATION INSTRUCTIONS.
 DUCTS ARE IDENTIFIED BY A LETTER AND A NUMBER WRITTEN ON THE LABEL
 REPLICATED IN THE PICTURE ON THE LEFT (STITCHED ON THE INSIDE OF THE
 DUCT) IN CORRESPONDENCE TO WHAT INDICATED IN EXECUTIVE DRAWINGS

KLIMAGIEL s.r.l.

Fabric and Metal Ducts

VIA Mezzacampagna 52/37 - VERONA
 TEL 045 916672 - FAX 045 8344222
 www.klimagiel.it - email klimagiel@klimagiel.it

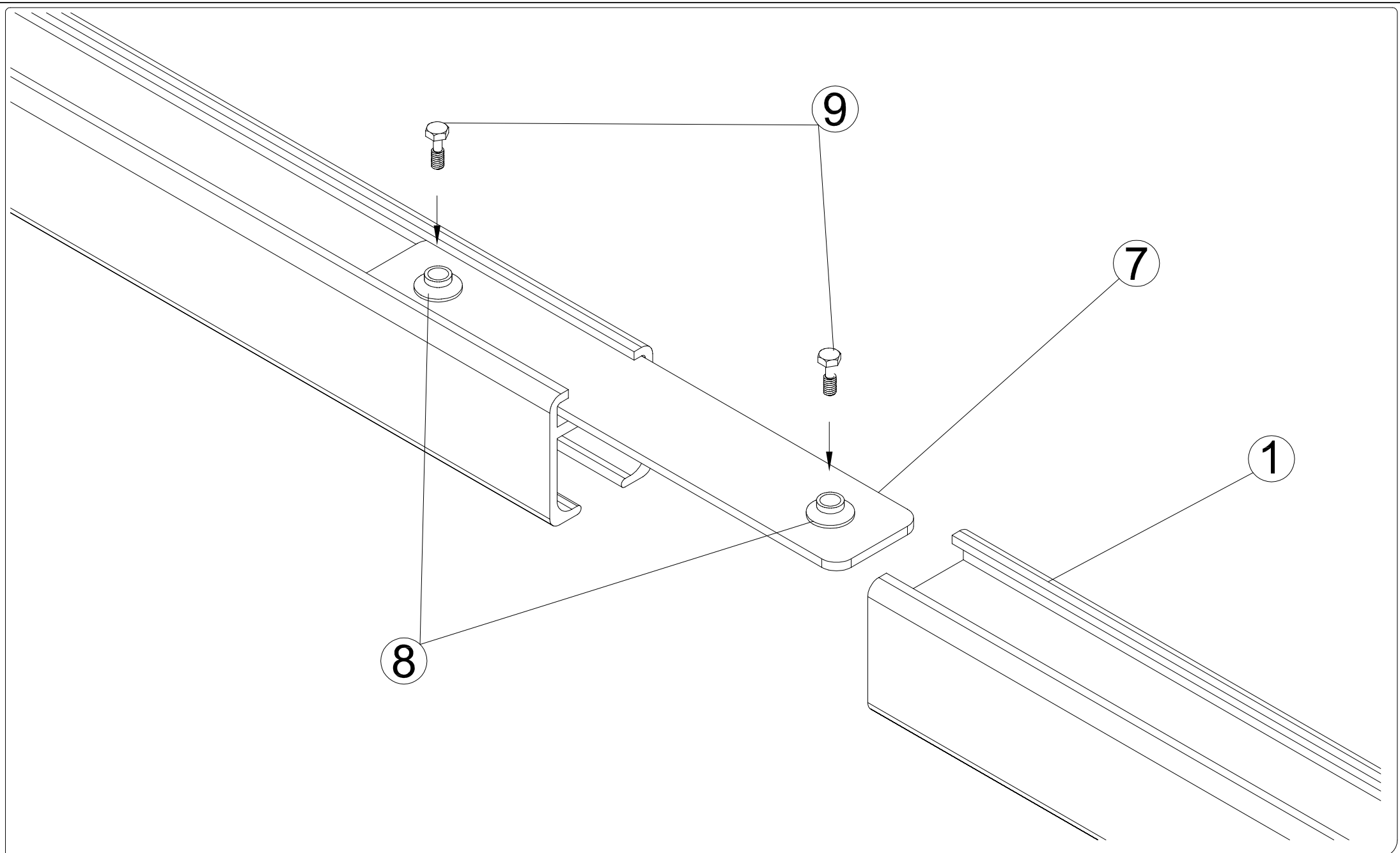


NB:
EYEBOLT-CABLE SYSTEM COULD
BE REPLACED BY A THREADED
ROD M8 (NOT SUPPLIED BY
KLIMAGIEL) DEPENDING ON THE
NECESSITY

KLIMAGIEL s.r.l.

Fabric and Metal Ducts

Via Mezzacampagna 52/37 - VERONA
TEL 045 916672 - FAX 045 8344222
www.klimagiel.it - email klimagiel@klimagiel.it



KLIMAGIEL s.r.l.
Fabric and Metal Ducts
Via Mezzacampagna 52/37 - VERONA
TEL 045 916672 - FAX 045 8344222
Games Textiles et Metalliques
www.klimagiel.it - email klimagiel@klimagiel.it

INSTALLATION OF TEXTILE DUCTS WITH CIRCULAR SECTION AND DOUBLE HANGING ALUMINUM RAILS

In the previous pages you can see: the assembling system, the components for proper installation and the fixing system. The components kit for specified versions is included in KLIMAGIEL ducts supply and it's identified by an itemized list.

N.B.: pressure caps and anchor screws to fix the rail at the ceiling *are not included* in KLIMAGIEL kit.

WARNING / PLEASE NOTE

Before proceeding at the installation check:

- the entirety of all the components;
- the correspondence between components type and number you need for proper ducts assembling.

In case of doubts or inconsistency contact KLIMAGIEL Customer Service.

ASSEMBLING INSTRUCTIONS

1. Fix the anchor screws at the ceiling by drilling it and then embedding the appropriate pressure caps (not supplied by us).

ATTENTION: in case of double rails hanging, respect the axle spacing, which changes depending on the duct diameter, as you can see in the chart below:

DUCT DIAMETER	RAILS AXLE SPACING
550	541
600	337
650	491
700	619
750	691
800	762
850	823
900	905
950	968
1000	1004

In case the diameter of your duct is not among those listed in the chart, apply the axle spacing specified in the attached executive drawings.

2. Assemble the hanging system as follows: as you can see in the drawing, match the threaded insert M8 **(2)** with the square washer **(3)** and tighten the eyebolt **(4)**; insert the assembled component into the upper hollow of rail **(1)**; insert the steel lead **(5)** into the eyebolt making a buttonhole and then close it with a clamp **(6)**. We recommend to install a hanging system every 1,50 m (2 systems for each bar long 3,00 m).
3. Hook the bars at the anchor screw fixed at the ceiling (mentioned at point 1) through the steel cables; regulate the installation height of the rail by means of the cables.
4. Connect the aluminum extrusion bars **(1)** with one another through connection bracket **(7)**: insert the connection bracket **(7)** halfway into the upper hollow of one rail and halfway into the upper hollow of the consecutive one; tighten fixing screws M3 **(9)** into the threaded inserts **(8)** you find in the bracket **(7)**.
5. Insert slide clips (or rubber reinforcing rod, depending on the type of supply) **(10)** into the lower hollow of aluminum rail **(1)**.
6. Repeat the steps above for the installation of the whole duct system and link all the duct segments through zip fasteners.
7. Finally, assemble the duct beginning **(11)**: it has to be connected at one end to the duct system through a zip fastener **(12)** and at the other end to the beginning of the plenum chamber through a steel collar **(13)**.

When installation is completed, check:

- the entirety and the solidity of anchor screws and the correct fastening of the hanging system at the aluminum rails;
- the proper cables tension while working;
- the duct seal at the beginning of the plenum chamber **(11)**. In particular, check if you have tighten well the steel collar **(13)**;
- the correct tightening of all zip fasteners connecting all duct segments.

WASHING AND MAINTENANCE INSTRUCTIONS

WATER WASHING

ATTENTION: Following maintenance instructions are meant for all type of textile ducts, except for those made with fireproof fabric homologated Class 0 / M0 / A1.

Washing has to be made by hand or by washing machine following next procedure:

From 1 to 4 washing cycles using neutral washing powder or liquid detergent.
Every single washing cycle has to be made at a temperature not exceeding 45°C and it has to last for about 15 minutes.

For particularly dirty textiles we recommend a rinse after each washing cycle.
Let dry at room-temperature.

On demand, our company offers cleaning service (for further information contact directly our technical or sales department).

WARNING! Only for Class 0 / M0 / A1

While assembling, you can find on the fabric parts some fiberglass filaments due to the manufacturing process (stitching and drilling).

These filaments could cause eyes or skin irritation in sensitive people.

Therefore we recommend the use of protective devices for hands while assembling.